


PRODUCT SHEET

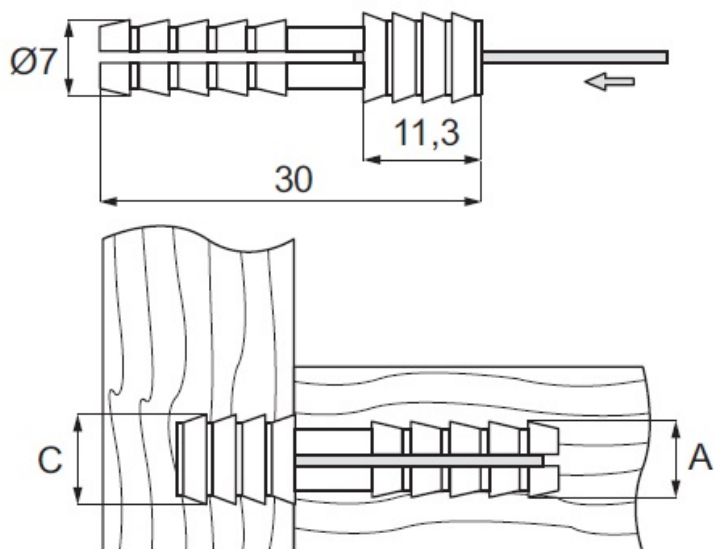
Description:

Expansion Dowel No. 1703, White

Item number:

11.06.030-0

Units	Box	Carton	HS Code	Barcode
Pcs.	1	15000	3926300090	
				5704866500654



A = 6,3 - 6,4 mm
C = 8 mm

